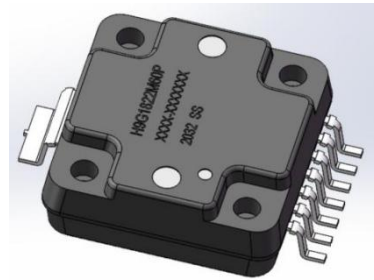


Description

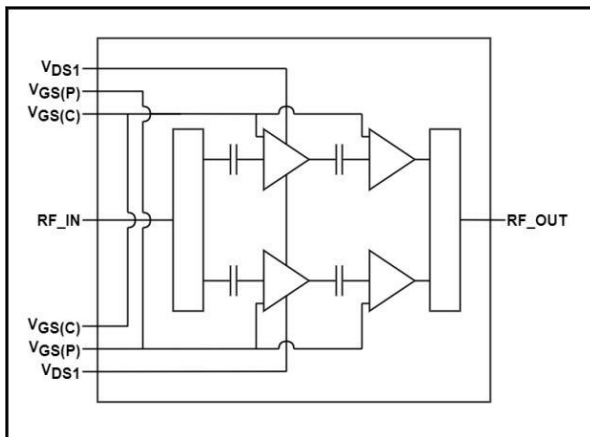
The H9G1822M60P is a LDMOS MMIC Integrated Asymmetrical Doherty based on 2-Stage with 60W saturated output power covering frequency range from 1.8 - 2.2 GHz.

The amplifier is 50 Ω Input matched with integrated input divider and output combiner into a small compact footprint which makes it ideal for integration.



OMP400-8
Over Molded Plastic Package 8 pin

Block Diagram



H9G1822M60P Block Diagram

Features

- Operating Frequency Range: 1.8 - 2.2 GHz
- Operating Drain Voltage: +28V
- Saturation Output Power: 60W
- Power Average: 3.15W
- 50 Ω Input matched
- Integrated Input Divider
- Integrated Output Combiner
- Integrated Asymmetrical Doherty Final Stage
- High Efficiency: 30%@2.19GHz, WCDMA
- High Gain: 28dB@2.19GHz, WCDMA
- Small footprint: OMP400-8, 10.3x10.3mm

Applications

- 3GPP 5G NR FR1 n1/34/39/65/66/70 and 4G-LTE B1/2/3/4/34/37/39/65/66/70
- Power Amplifier for Small Cells
- Driver Amplifier for Micro and Macro Base Stations
- Active Antenna Array for 5G mMIMO
- Repeaters/DAS
- Mobile Infrastructure

Ordering Information

Part Number	Description
H9G1822M60P	Reel Package
H9G1822M60PEVB	1.8 - 2.2 GHz EVB

Typical Performance

RF Characteristics (Pulsed CW)

Freq (GHz)	P3dB (dBm)	Gain (dB)	Eff (%)	IRL (dB)
1.805	48.25	29.06	30.31	14.6
1.8425	48.17	28.89	29.21	15.7
1.880	48.21	28.95	29.90	17.1
2.100	48.43	28.62	31.29	22.8
2.150	48.16	28.38	28.70	21.8
2.200	47.98	28.67	29.37	18.8

Test conditions unless otherwise noted: 25 °C, VDD = +28Vdc, IDQ_Carrier= 100mA, IDQ_Peak= 17mA, PW = 100us, DC= 10% test on WATECH Application Board

RF Characteristics (WCDMA)

Freq (GHz)	Gain (dB)	Eff (%)	ACPR* @5MHz (dBc)	ACPR* @10MHz (dBc)
1.805	29.05	29.49	-32.92	-52.58
1.8425	28.84	29.36	-33.22	-51.83
1.880	28.78	30.45	-33.15	-51.03
2.100	28.43	30.52	-36.18	-50.03
2.150	28.33	28.76	-37.55	-50.47
2.200	28.54	29.75	-36.86	-50.82

Test conditions unless otherwise noted: 25 °C, VVDD = +28Vdc, IDQ_Carrier= 100mA, IDQ_Peak= 17mA, PAVG = 35 dBm
1C-WCDMA 5MHz Signal, 7.6 dB PAR @ 0.01% CCDF test on WATECH Application Board

*Uncorrected DPD

Absolute Maximum Ratings

Parameter	Range/Value	Unit
Drain voltage (VDSS)	-0.5 to +65	V
Gate voltage (VGS)	-5 to +10	V
Drain voltage (VDD)	0 to +28	V
Storage Temperature (TSTG)	-55 to +150	°C
Case Temperature (Tc)	-40 to +125	°C
Junction Temperature (Tj)	-40 to +175	°C

Electrical Specification

DC Characteristics

Parameter	Conditions	Min	Typ	Max	Unit
Breakdown Voltage $V_{(BR)DSS}$ [2]	$V_{GS}=0V, I_{DS}=100\mu A$	65	-	-	V
Gate-Source Threshold Voltage $V_{GS(th)}$ [1]	$V_{GS}=28V, I_{DS}=17\mu A$	1.2	-	2.0	V
Drain Leakage Current I_{DSS} [2]	$V_{GS}=0V, V_{DS}=28V$	-	-	0.5	μA
Gate Leakage Current I_{GSS} [1]	$V_{GS}=10V, V_{DS}=0V$	-	-	0.05	μA

[1] Including Driver and Final stage

[2] Including Carrier and Peak

RF Characteristics (Pulsed CW)

Parameter	Freq (GHz)	Min	Typ.	Max	Unit
P3dB	2.2	47.5	48.0	-	dBm

Test conditions unless otherwise noted: 25 °C, $V_{DD} = +28V_{DC}$, $I_{DQ_Carrier} = 100mA$, $I_{DQ_Peak} = 17mA$, $PW = 100\mu s$, $DC = 10\%$ test on WATECH Production Board

RF Characteristics (WCDMA)

Parameter	Conditions	Min	Typ.	Max	Unit
Frequency		2.19			GHz
Gain	$PAVG = 35\text{ dBm}$	26.5	28	32	dB
Eff	$PAVG = 35\text{ dBm}$	27	30	35	%
ACPR@5MHz*	$PAVG = 35\text{ dBm}$	-40	-36	-28	dBc

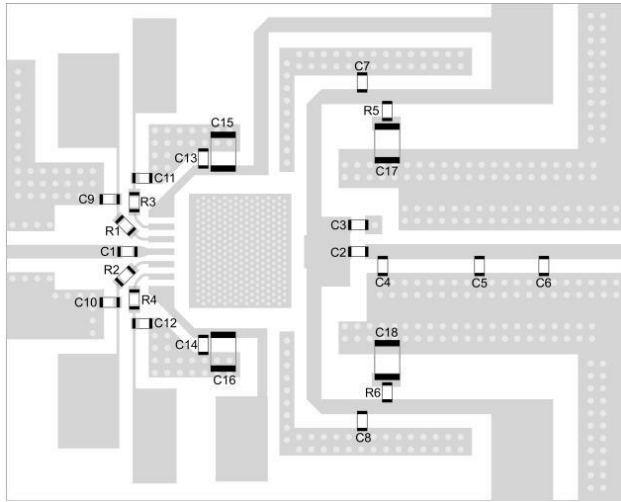
Test conditions unless otherwise noted: 25 °C, $V_{DD} = +28V_{DC}$, $I_{DQ_Carrier} = 100mA$, $I_{DQ_Peak} = 17mA$, 1C-WCDMA 20MHz Signal, 7.6 dB PAR @ 0.01% CCDF test on WATECH Production Board

*Uncorrected DPD

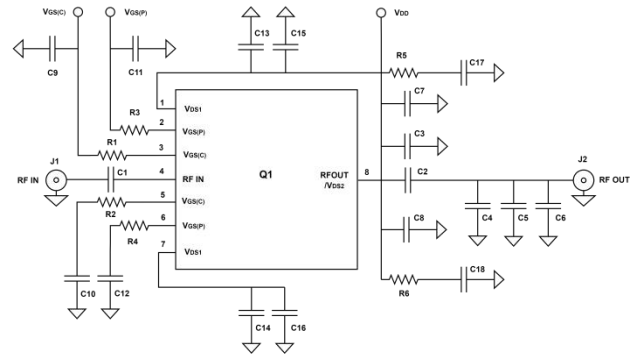
Thermal Information

Parameter	Condition	Value (Typ)	Unit
Thermal Resistance Junction to Case (R_{TH})	$T_{CASE} = 90^{\circ}C$, 1C-WCDMA 5MHz Signal, 7.6 dB PAR, $PAVG = 35\text{ dBm}$	2.5	$^{\circ}C/W$

H9G1822M60P 1.8 - 2.2 GHz Reference Design (50 x40 mm)



EVB Layout

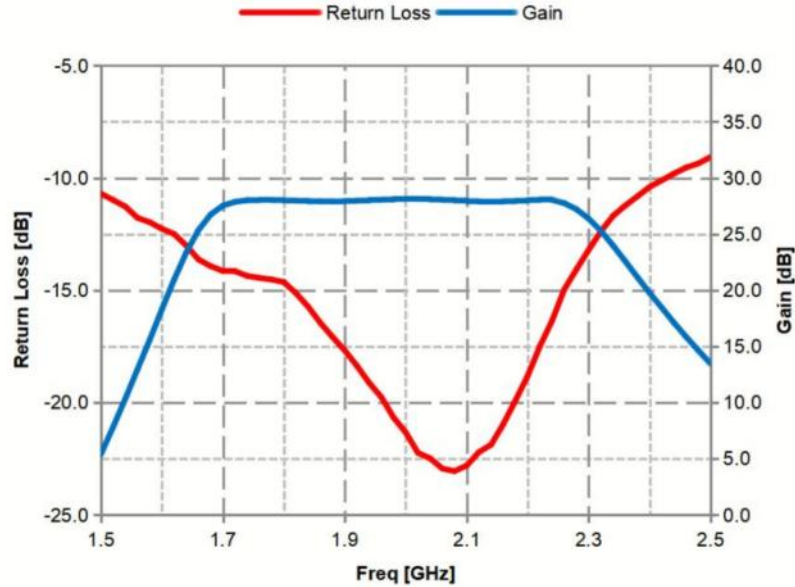


EVB Schematic

Bill of Materials (BoM) - H9G1822M60P 1.8 - 2.2 GHz Reference Design

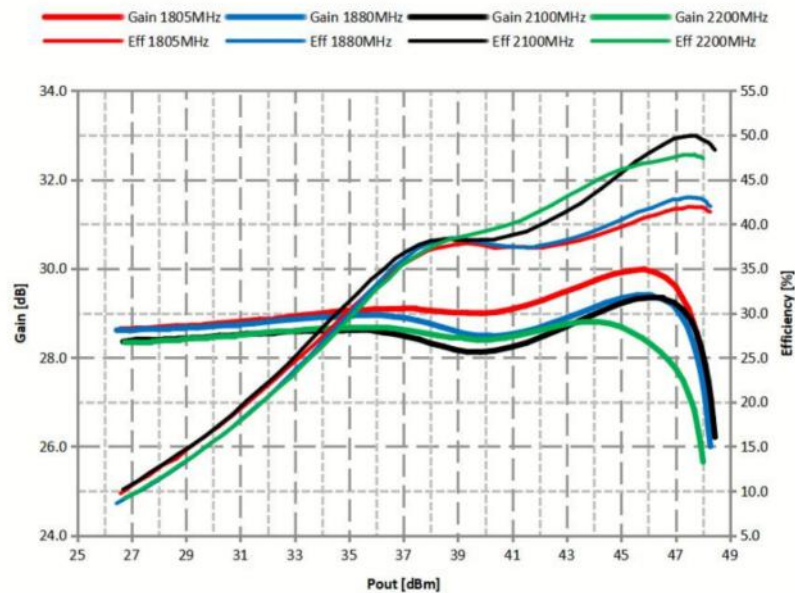
Reference	Value	Description	Manufacturer	P/N
Q1	-	60W, 1.8 - 2.2 GHz LDMOS MMIC PA	Watech	H9G1822M60P
C1, C4	2p7F	Multi-Layer Ceramic Capacitor	Murata	GQM2195C2E2R7BB12
C2	2p4F	Multi-Layer Ceramic Capacitor	Murata	GQM2195C2E2R4BB12
C3, C6	1p5F	Multi-Layer Ceramic Capacitor	Murata	GQM2195C2E1R5BB12
C5	3pF	Multi-Layer Ceramic Capacitor	Murata	GQM2195C2E3R0BB12
C7, C8	15pF	Multi-Layer Ceramic Capacitor	Murata	GQM2195C2E150GB12
C9-C14	1nF	Multi-Layer Ceramic Capacitor	Murata	GRM21A5C2E102JWA1
C15-C18	10uF	Multi-Layer Ceramic Capacitor	Murata	GRM32EC72A106KE05
R1-R4	33Ω	Thick Film Resistor	YAGEO	RC0805FR-0733RL
R5, R6	10Ω	Thick Film Resistor	YAGEO	RC0805FR-0710RL
PCB		<ul style="list-style-type: none"> Rogers 4350B, er = 3.66; Thickness= 20 mil (0.508 mm); Thickness copper plating = 35 μm (1oz) Soldered on a 50x40x10 mm Copper Base-Plate 		

Performance Plots



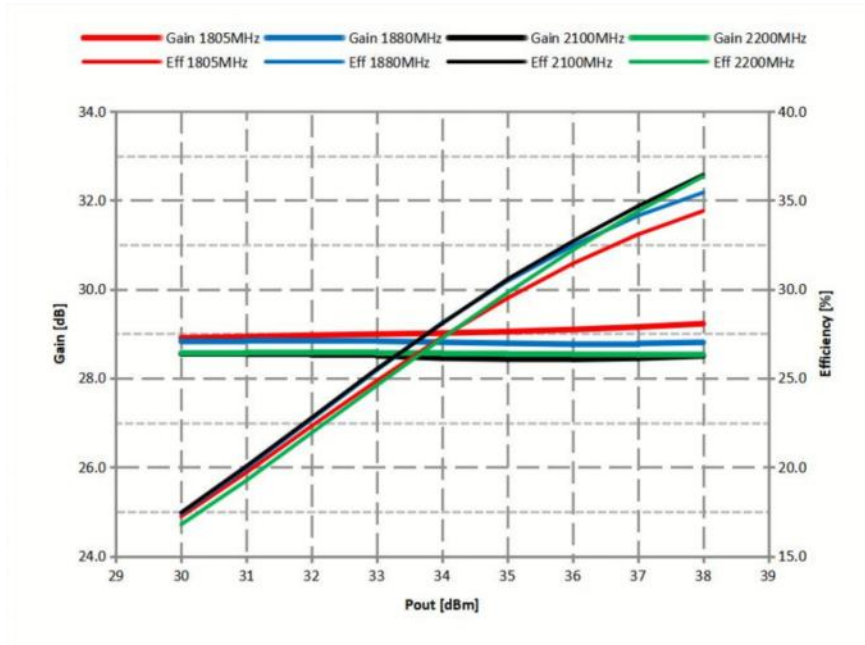
Small Signal, Gain and Return Loss vs Frequency

Test conditions unless otherwise noted: 25 °C, VDD = +28Vdc, IDQ_Carrier= 100mA, IDQ_Peak= 17mA test on WATECH Application Board



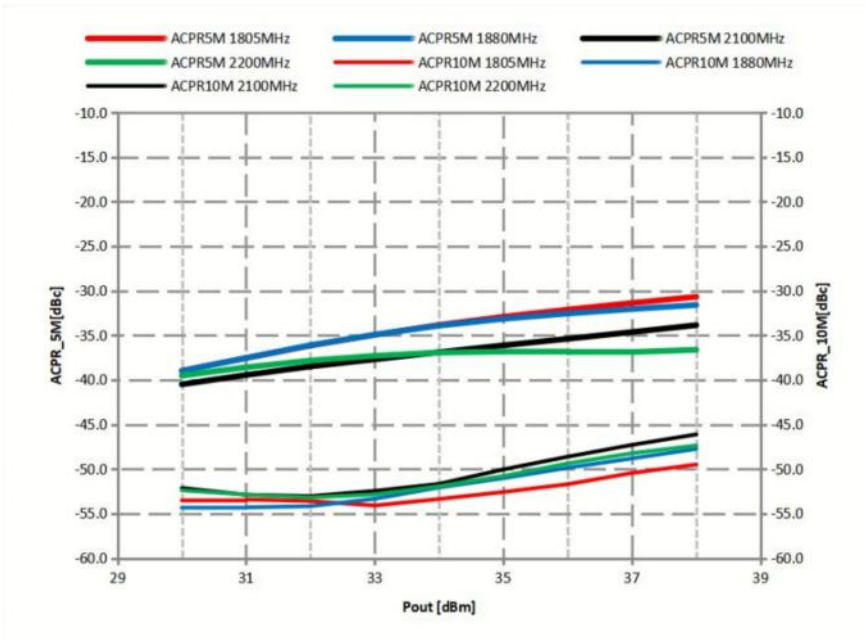
Pulsed CW, Gain and Efficiency vs Pout

Test conditions unless otherwise noted: 25 °C, VDD = +28Vdc, IDQ_Carrier= 100mA, IDQ_Peak= 17mA, PW = 100us, DC= 10% test on WATECH Application Board



WCDMA, Gain and Efficiency vs Pout

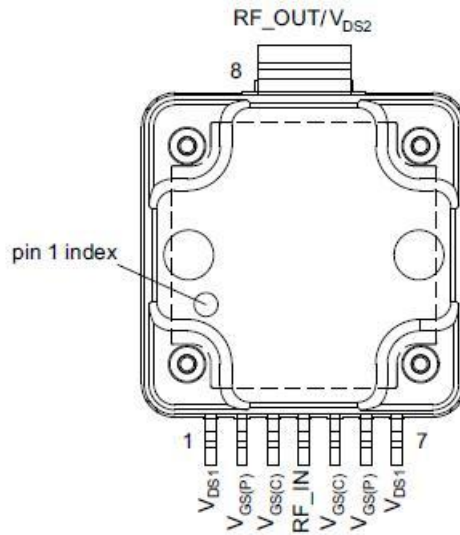
Test conditions unless otherwise noted: 25 °C, VDD = +28Vdc, IDQ_Carrier= 100mA, IDQ_Peak= 17mA, 1C-WCDMA 5MHz Signal, 7.6 dB PAR @ 0.01% CCDF test on WATECH Application Board



WCDMA, ACPR_5MHz, ACPR_10MHz vs Pout

Test conditions unless otherwise noted: 25 °C, VDD = +28Vdc, IDQ_Carrier= 100mA, IDQ_Peak= 17mA, 1C-WCDMA 5MHz Signal, 7.6 dB PAR @ 0.01% CCDF test on WATECH Application Board

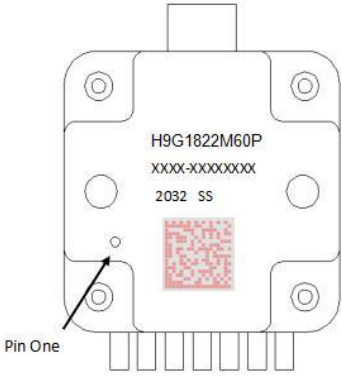
Pin Configuration and Description



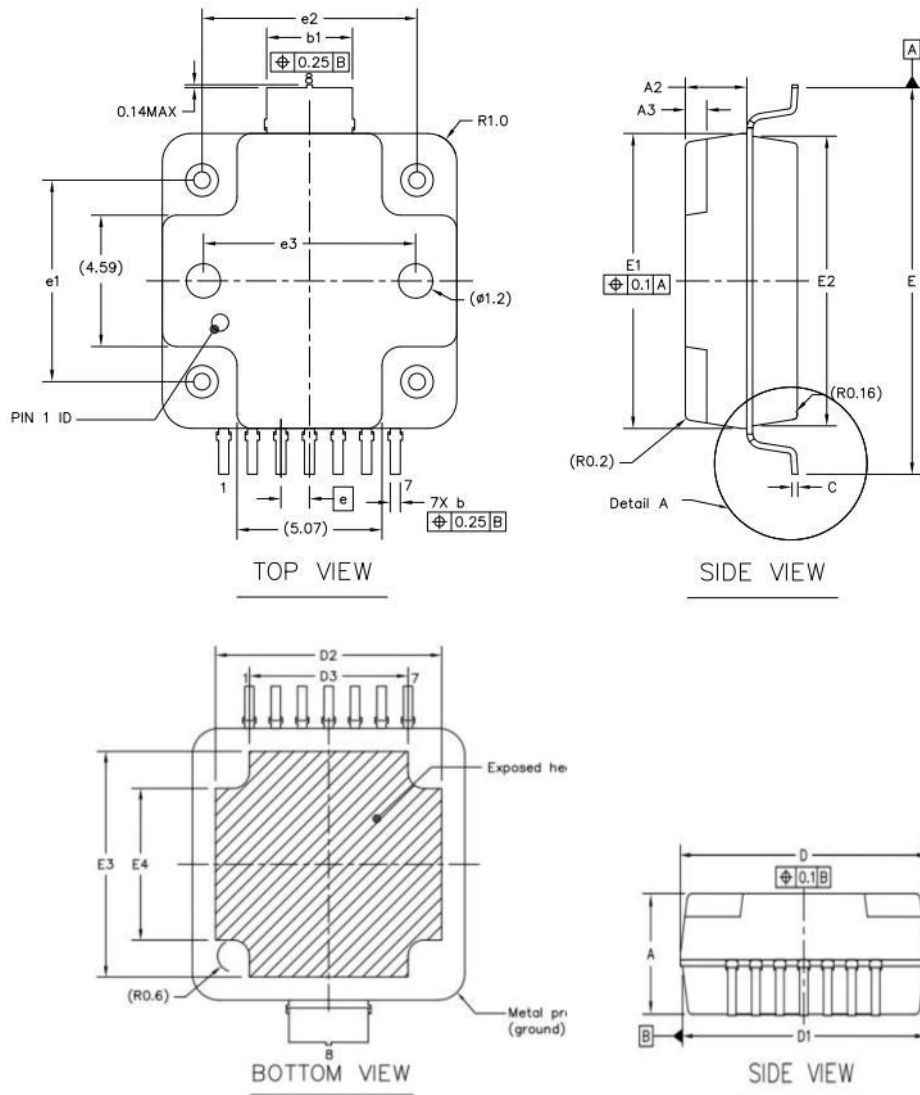
Pinout Device Configuration

Pin Number	Label	Description
1	VDS1	Drain-Source Voltage Driver Stage
2	VGS(P)	Gate-Source Voltage Peak
3	VGS(C)	Gate-Source Voltage Main
4	RF IN	RF Input
5	VGS(C)	Gate-Source Voltage Main
6	VGS(P)	Gate-Source Voltage Peak
7	VDS1	Drain-Source Voltage Driver Stage
8	RF OUT/VDS2	RF Output & Drain-Source Voltage Final Stage

Package Marking and Dimensions

Marking Spec No.	H9G1822M60P Marking spec_V1
Marking Spec	
<div style="text-align: center; margin-bottom: 10px;"> marking sample </div> 	<div style="background-color: #cccccc; padding: 5px; margin-bottom: 5px;"> Line1: fixed : H9G1822M60P (Device name in W/O) </div> <div style="background-color: #cccccc; padding: 5px; margin-bottom: 5px;"> Line2 :unfixed: Marking Lot No in W/O (Sample:E596-EEEE0001) </div> <div style="background-color: #cccccc; padding: 5px; margin-bottom: 5px;"> Line3 : fixed DC (2032) +Sub Lot No </div> <div style="background-color: #cccccc; padding: 5px;"> Line4 :unfixed: 2D Code (21 digits) 1~13:Mark Lot No 14~15: Sub Lot No 16~17: Strip No 18~21: Unit On Strip(XXYY) </div>
<p>●This Marking SPEC only stipulates the content of Marking. For marking requirements such as font and size, please refer to the latest version of “Watech Product Printing Specification”.</p>	

Marking

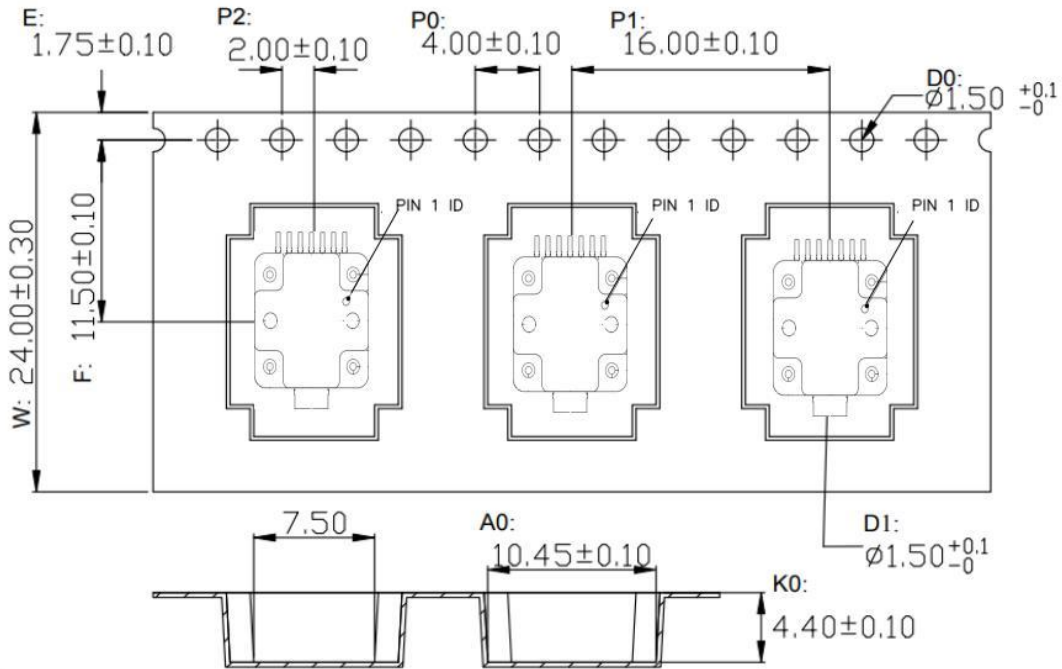


SYMBOL	MIN	NOM	MAX
A	3.87	3.92	4
A1	-0.02	0	0.06
A2	2.15 REF		
A3	0.75 REF		
A4	1.57 REF		
b	0.3	0.35	0.4
b1	2.95	3	3.05
D	10.25	10.3	10.35
D1	10.07	10.12	10.17
D2	8.4	8.55	8.7
D3	5.8	6	6.2
E	13.2	13.5	13.8
E1	10.25	10.3	10.35
E2	10.07	10.12	10.17
E3	8.4	8.55	8.7
E4	5.55	5.75	5.95
e	1 BSC		
e1	7.04 REF		
e2	7.52 REF		
e3	7.42 REF		
L	0.8	0.95	1.1
C	0.17	0.22	0.27
θ	0°	3°	7°

Package Dimensions

Tape and Reel Information

Package Type	Reel Size(inch)	Qty/Reel(pcs)	Qty/Box(pcs)	Qty/Carton(pcs)
OM400-8L	13	600	600	3000



Tape & Reel Packaging Descriptions

Handling Precautions

Parameter	Grade
Moisture Sensitivity Level MSL	3

Parameter	Rating	Standard	
ESD – Human Body Model (HBM)	Class 1B	JESD22-A114	
ESD – Human Body Model (MM)	Class A	EIA/JESD22-A115	
ESD – Charged Device Model (CDM)	Class III	JESD22-C101	

RoHS Compliance

This product is compliant with the 2011/65/EU RoHS directive (Restrictions on the Use of Certain Hazardous Substances in Electrical and Electronic Equipment), as amended by Directive 2015/863/EU.

Datasheet Status

Document status	Product status	Definition
Objective Datasheet	Design simulation	Product objective specification
Preliminary Datasheet	Customer sample	Engineering samples and first test results
Product Datasheet	Mass production	Final product specification

Abbreviations

Acronym	Definition
LDMOS	Laterally-Diffused Metal-Oxide Semiconductor
CW	Continuous Waveform
MMIC	Monolithic Microwave Integrated Circuit

Revision history

Document ID	Datasheet Status	Release Date	Revision Version
Rev 2.0	Product	Nov 2022	Product release
Rev 2.1	Product	March 2023	New format based on English version datasheet



H9G1822M60P

60W, 1.8 - 2.2 GHz LDMOS MMIC Amplifier

Product datasheet

Contact Information

For the latest specifications, additional product information, worldwide sales and distribution locations and information about WATECH:

- Web: www.watechelectronics.com
- Email: MKT@huatai-elec.com

For technical questions and application information:

- Email: MKT@huatai-elec.com

Important Notice

Information in this document is believed to be accurate and reliable. However, WATECH does not give any representations or warranties, expressed or implied, as to the accuracy or completeness of such information and shall have no liability for the consequences of use of such information.

“Typical” parameters are the average values expected by WATECH in large quantities and are provided for information purposes only. All information and specifications contained herein are subject to change without notice and customers should obtain and verify the latest relevant information before placing orders for WATECH products.

The information contained herein or any use of such information does not grant, explicitly or implicitly, to any party any patent rights, licenses, or any other intellectual property rights, whether with regard to such information itself or anything described by such information.

Applications that are described herein for any of these products are for illustrative purposes only. WATECH makes no representation or warranty that such applications will be suitable for the specified use without further testing or modification. Customers are responsible for the design and operation of their applications and products using WATECH products, and WATECH accepts no liability for any assistance with applications or customer product design. It is customer's sole responsibility to determine whether the WATECH product is suitable and fit for the customer's applications and products planned, as well as for the planned application and use of customer's third-party customer(s). Customers should provide appropriate design and operating safeguards to minimize the risks associated with their applications and products.

WATECH products are not designed, authorized or warranted to be suitable for use in life support, life-critical or safety-critical systems or equipment, nor in applications where failure or malfunction of a WATECH product can reasonably be expected to result in personal injury, death or severe property or environmental damage. This document as well as the item(s) described herein may be subject to export control regulations. Export might require a prior authorization from competent authorities.